

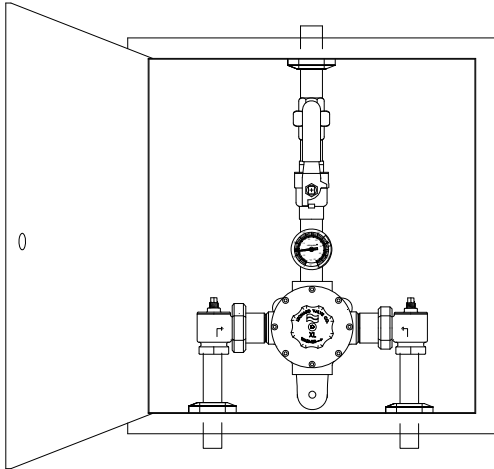
Thermostatic MIXING VALVES

Cabinet Assemblies

LV-186-__ - __LF

__ LV-186-982 1" inlets and 1 1/4" outlet

__ LV-186-983 1 1/4" inlets and 1 1/4" outlet



LV-186-LF



WARNING: This product can expose you to chemicals including lead, which is known to the State of California to cause cancer. For more information, go to www.P65Warnings.Ca.gov

Note: Leonard Valve Company reserves the right of product, or design modifications without notice or obligation.

****NOTE:** For temperatures outside of this valve's stated range, please see our line of bi-metal valves.

+NOTE: The valve will maintain temperature with 0.5GPM flow from the domestic hot water loop when properly installed near the hot water source with a continuously operating recirculation pump.

CAUTION! All thermostatic water mixing valves have limitations. They will NOT provide the desired accuracy outside of their flow capacity range. Consult the Flow Capacity Chart and DO NOT OVERSIZE. Minimum flow must be no less than as indicated.

- Thermostatic water mixing valve
- Copper encapsulated thermostatic assembly with Stainless steel shuttle
- Combination checkstops, unions on inlets, wall support
- Locking temperature regulating handle
- Tempered outlet ball valve
- Color coded dial thermometer (0 to 140°F, -10° to 60°C)
- Temperature adjustment range, 90-140°F (32-60°C)(LV982)**
- Temperature adjustment range, 95-135°F (35-57°C)(LV983)**
- Maximum operating pressure: 125 PSIG (860KPA)
- Recessed cabinet, with door, left hand hinge and flange, cylinder lock
- Bottom inlets, top outlet
- Factory assembled and tested
- Rough bronze finish
- See Flow Capacity Chart to select correct size

ASSE 1017 CERTIFIED



OPTIONS:

- __ SUFFIX CP - Chrome plated finish
- __ SUFFIX BWE REC- Steel cabinet, baked white enamel recessed
- __ SUFFIX STSTL REC- Stainless Steel recessed cabinet
- __ SUFFIX BWE EXP- Exposed cabinet, baked white enamel
- __ SUFFIX STSTL EXP- Exposed cabinet, Stainless steel
- __ SUFFIX RHH - Right hand hinge
- __ SUFFIX TOP- Top inlets
- __ SUFFIX IT- Inlet thermometers
- __ SUFFIX VIEW- View port

Valve assembly is certified to meet Low-Lead requirements of wetted surface area containing less than 0.25% lead by weight. All other fittings and components, the sum total of which comprise the wetted surface of this product contains less than one quarter of one percent of lead by weight.



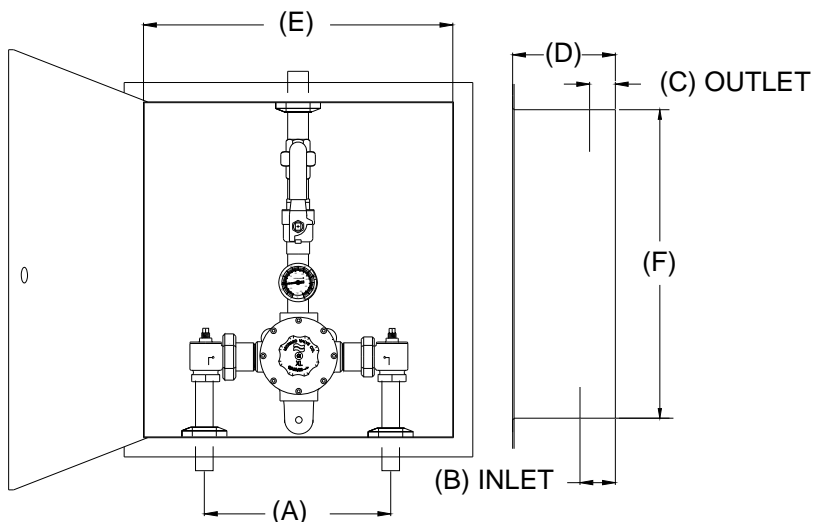
1360 Elmwood Avenue, Cranston, RI 02910 USA

Phone: 401.461.1200 Fax: 401.941.5310

Email: info@leonardvalve.com

Web Site: <http://www.leonardvalve.com>

LV-186



MODEL	DIMENSIONS					
	A	B	C	D	E	F
LV-186-982	12" (305mm)	4" (102mm)	2 1/2" (64mm)	8" (203mm)	18" (457mm)	24" (610mm)
LV-186-983	15 1/2" (368mm)	3 3/4" (95mm)	2 3/4" (70mm)	9" (229mm)	24" (610mm)	26" (660mm)

MODEL	IN	OUT	MINIMUM FLOW (GPM) (l/min)	SYSTEM PRESSURE DROP (PSIG)									
				5	10	15	20	25	30	35	40	45	PSI
				.3	.7	.97	1.4	1.7	2.1	2.4	2.8	3.1	BAR
LV-186-982	1"	1 1/4"	3 (11)	21 79	31 117	37 140	43 163	48 182	53 201	56 211	60 227	63 238	GPM l/min
LV-186-983	1 1/4"	1 1/4"	5 (19)	39 148	55 208	68 257	79 299	91 344	99 375	109 413	117 443	122 462	GPM l/min

Job # _____ Arch/Eng. _____ Contractor _____
Engineer's Approval



1360 Elmwood Avenue, Cranston, RI 02910 USA
 Phone: 401.461.1200 Fax: 401.941.5310
 Email: info@leonardvalve.com
 Web Site: <http://www.leonardvalve.com>