



Submittal Data Sheet S-2012-LF
August, 2018

THERMOSTATIC MIXING VALVES

ECO-MIX™

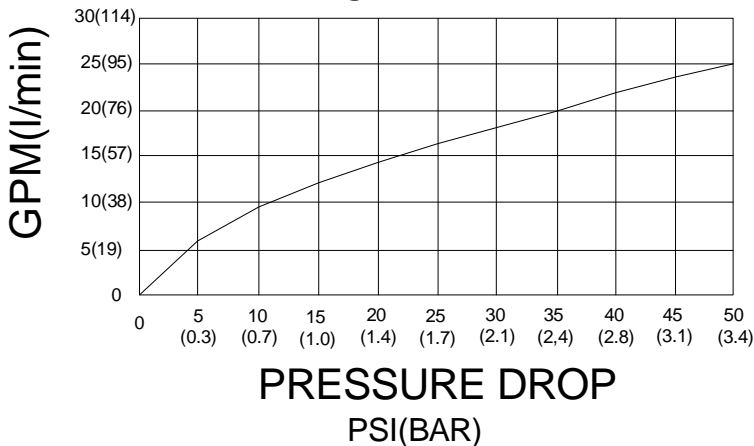
LV-20-E-LF _____ 1-25 GPM (3.8-95 l/min)



- Thermostatic Water Mixing Valve with 1 GPM (3.8 l/min) minimum flow capacity
- 3/4" inlets, 3/4" outlet (19mm x 19mm)
- Integral combination checkstops with wall support
- 125 PSI (8.6 BAR) maximum operating pressure
- Copper encapsulated thermostatic assembly with Teflon coated stainless steel shuttle
- Locking temperature regulating handle
- Temperature adjustment range, 90-140°F (32-60°C) **
- Internal parts of stainless steel
- Integral wall support for easy mounting
- Rough Bronze Finish

MIN+ FLOW	5	10	15	20	25	30	35	40	45	50	PSI
	0.3	0.7	1	1.4	1.7	2.1	2.4	2.8	3.1	3.4	BAR
1	6	9	12	14	16	18	20	22	24	25	GPM
3.8	23	34	45	53	61	68	76	83	89	95	l/min

FLOW RATE



- OPTIONS:** ___ SUFFIX CP Chrome plated
 ___ SUFFIX IT Inlet thermometers
 (shipped loose)
 ___ SUFFIX LWS Less wall support
 ___ SUFFIX BDT Ball valve with dial
 thermometer (shipped loose)

NOTE: Leonard Valve Company reserves the right of product or design modification without notice or obligation



WARNING: This product can expose you to chemicals including lead, which is known to the State of California to cause cancer. For more information, go to www.P65Warnings.Ca.gov

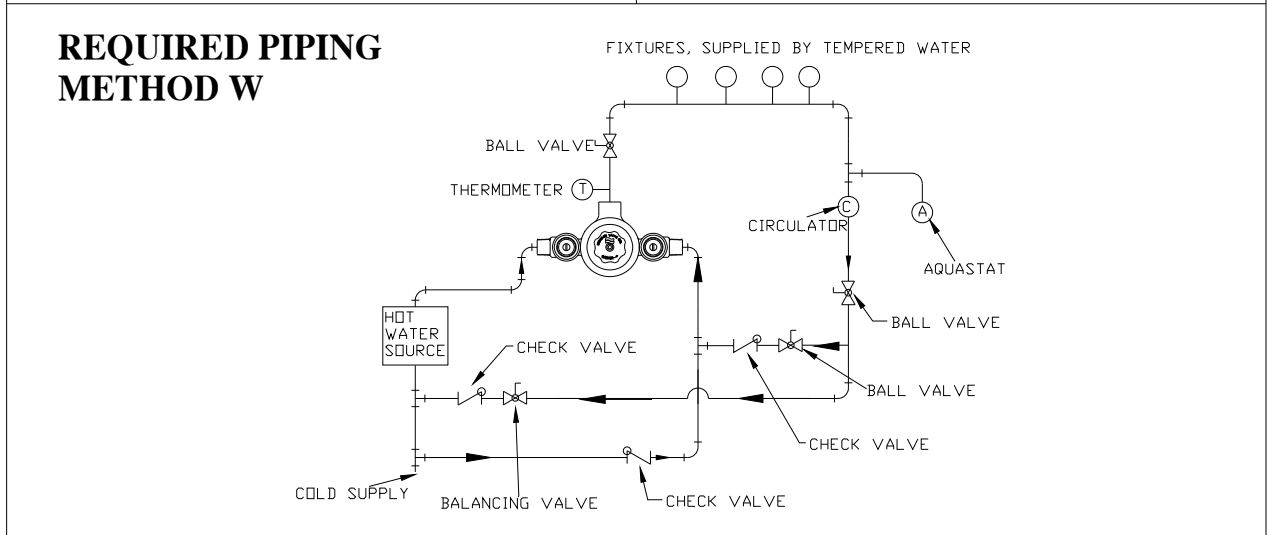
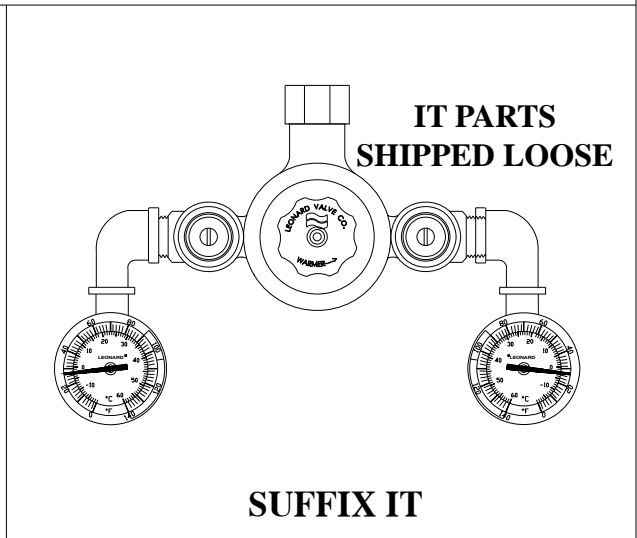
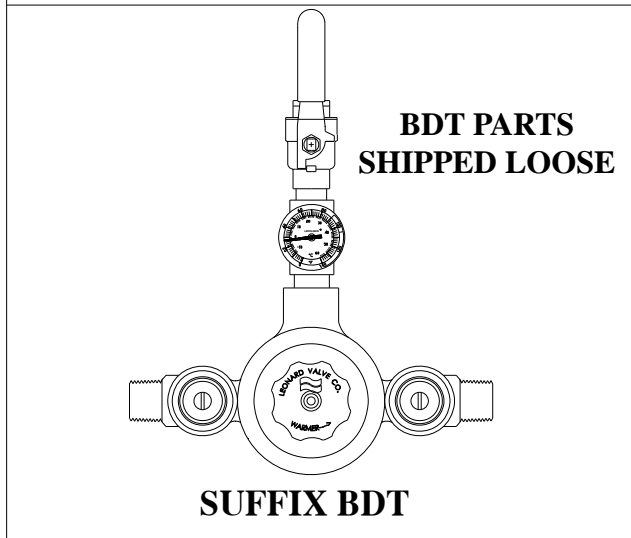
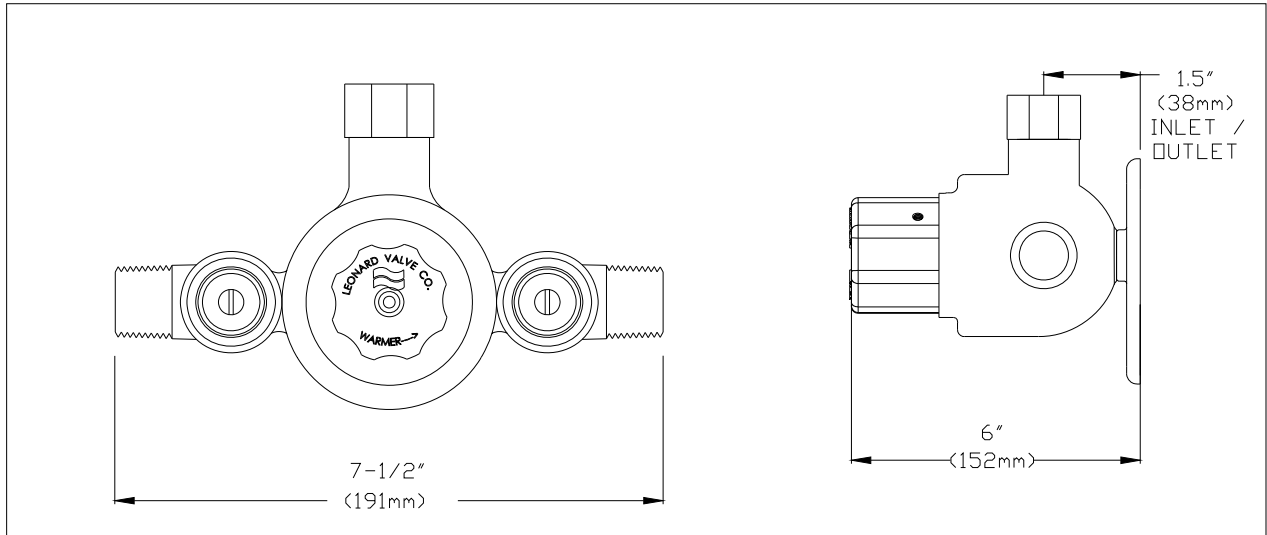
Engineer's Approval	Job # _____
	Arch/Eng. _____
	Contractor _____

ASSE 1017 Certified 
 CUPC Certified 

This product is certified to meet Low Lead requirements of wetted surface area containing less than 0.25% lead by weight

****NOTE:** For temperatures outside of this valve's stated range, please see our line of bi-metal valves.

***NOTE:** A locking temperature regulator is simply a mechanical setting to prevent unauthorized temperature set point changes. **AFTER INSTALLATION THE VALVE MUST BE RESET BY THE INSTALLER !!**



CAUTION! All thermostatic water mixing valves have limitations. They will NOT provide the desired accuracy outside of their flow capacity range. Consult the Flow Capacity Chart and DO NOT OVERSIZE. Minimum flow must be no less than as indicated.



1360 Elmwood Avenue, Cranston, RI 02910 USA
 Phone: 401.461.1200 Fax: 401.941.5310
 Email: info@leonardvalve.com
 Web Site: <http://www.leonardvalve.com>